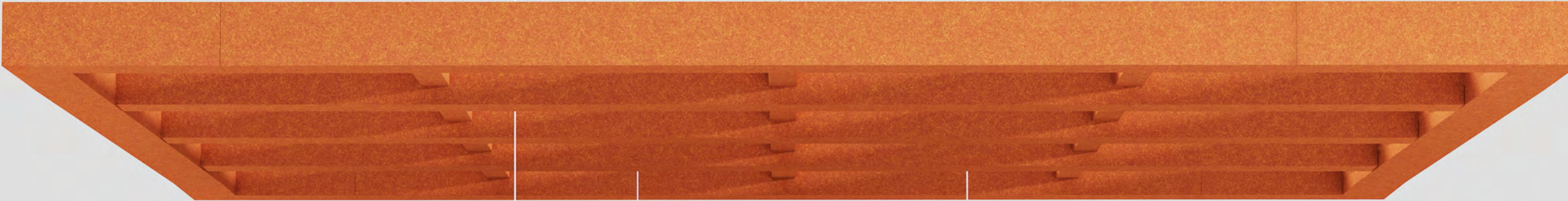


# Grid Box Clouds

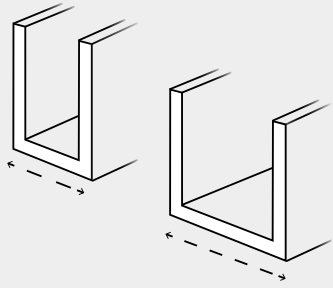




The methodical beams of Grid Box sketch a cross-hatch pattern across the ceiling, calmly drowning out noise while bringing back a timeless look.

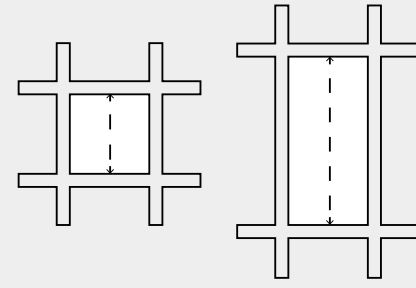
# How to Specify

Step by step instructions on how to specify Grid Box Clouds.



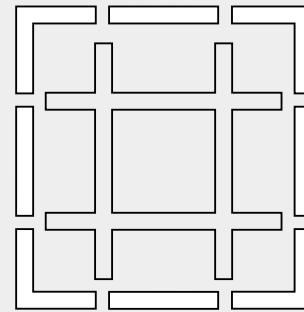
01

**Choose baffle design.**  
(pg 03)



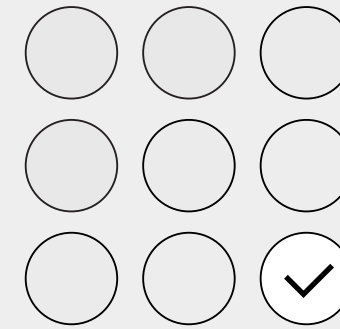
02

**Choose grid spacing.**  
(pg 04)



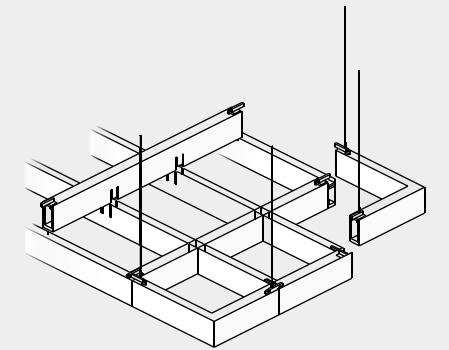
03

**Choose accessories or configuration.**  
(pg 05-07)



04

**Choose colour or texture.**  
(pg 08-09)



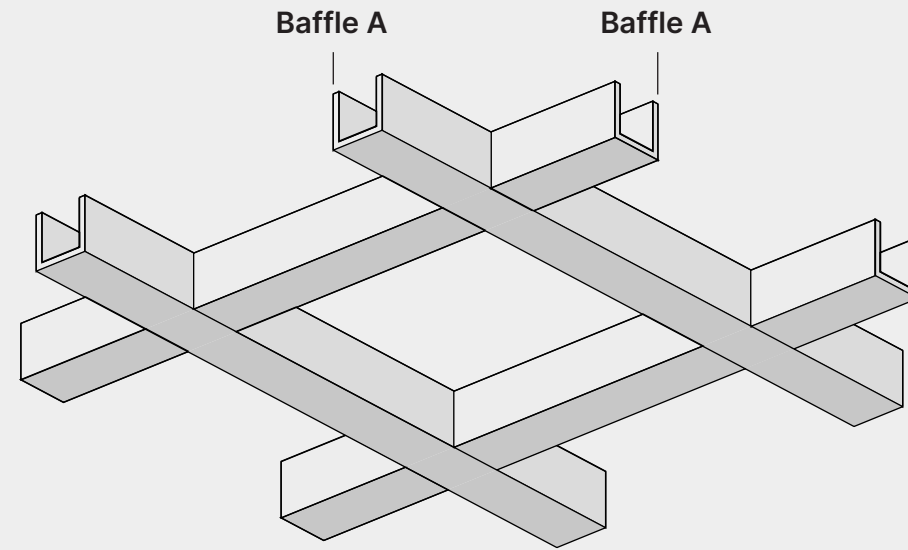
05

**Choose installation method.**  
(pg 10)

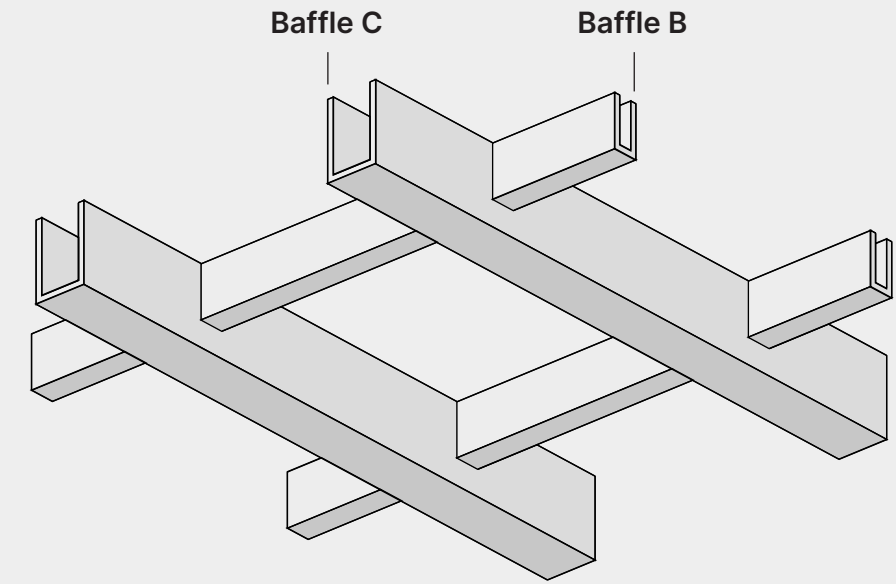
# Dimensions

Grid Box Clouds come in 2 standard designs.

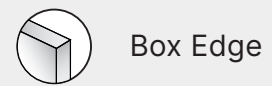
Grid Box - Level



Grid Box - Stack



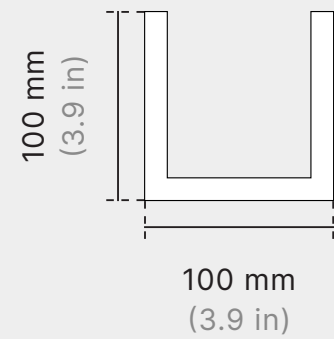
## Edge Detail



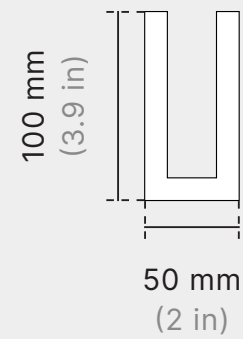
## Customization

Mix and match baffle dimensions or create your own to fit your space.

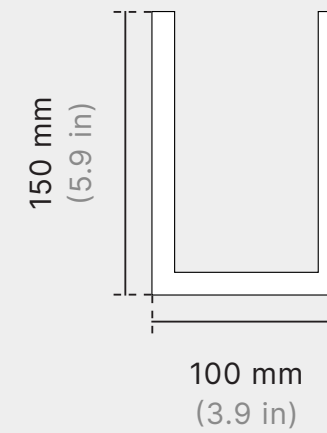
Baffle A



Baffle B

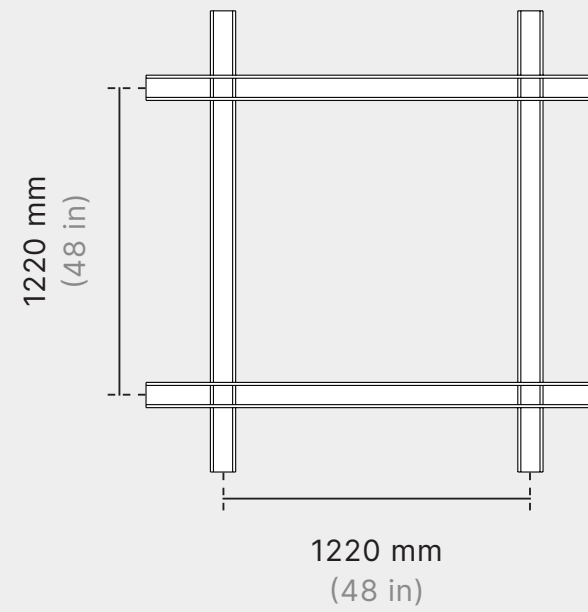
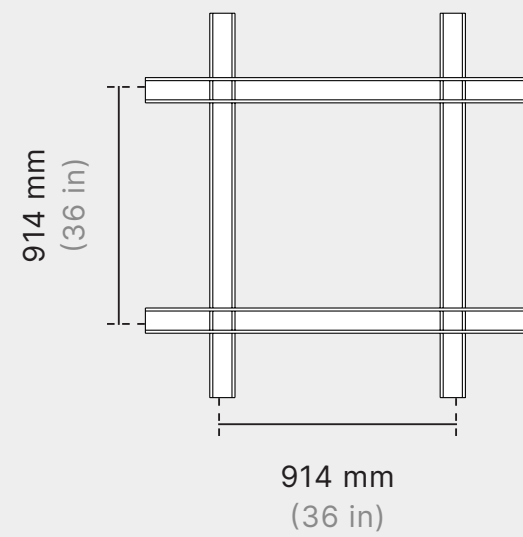
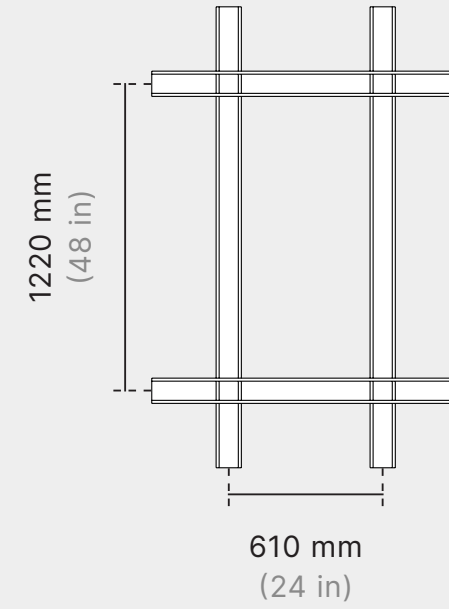
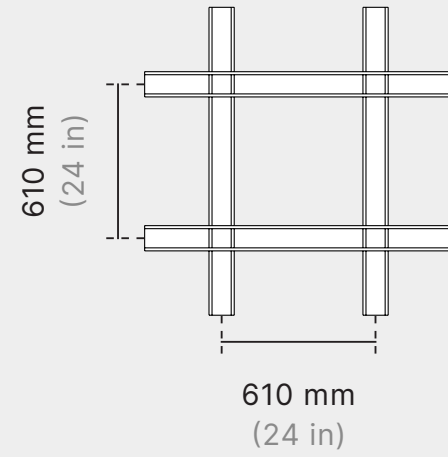


Baffle C



# Spacing

Choose from the following standard spacing options.



---

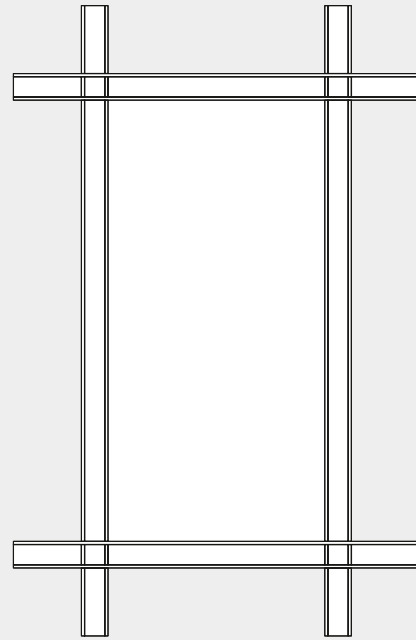
## Customization

Custom spacing available.

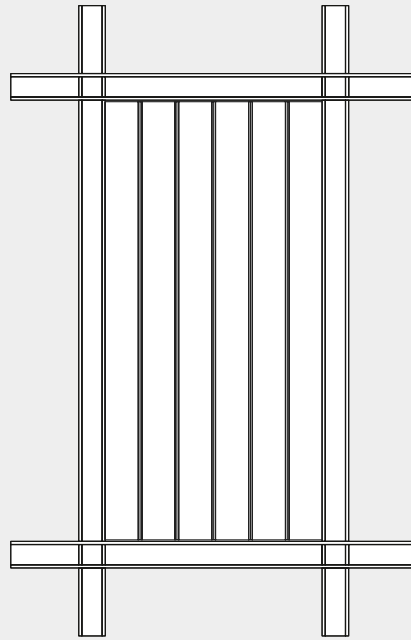
# Optional Infill Panels

Fill up one or multiple openings in the cloud for a varied look.

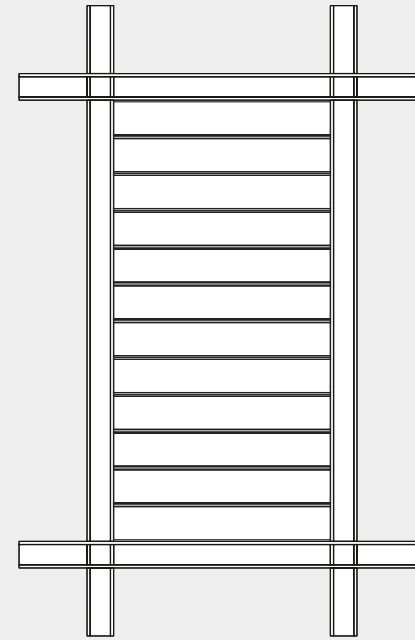
Plain Infill Panel



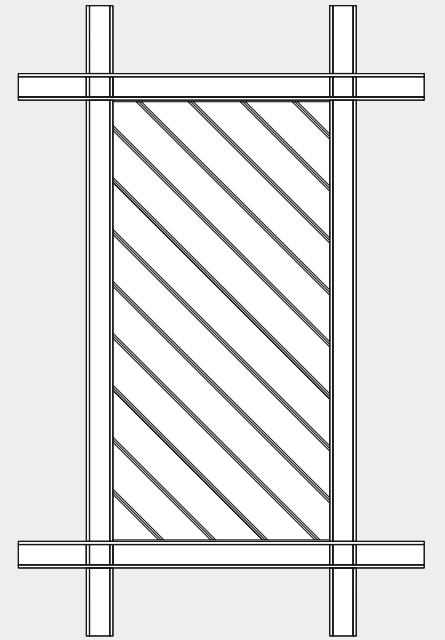
Stripes A Infill Panel



Stripes B Infill Panel



Stripes C Infill Panel



---

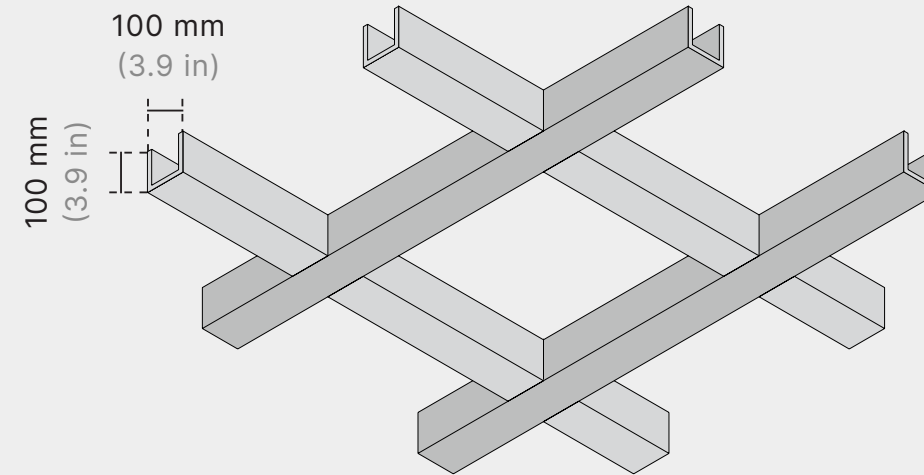
## Customization

Ask us about creating your own custom pattern.

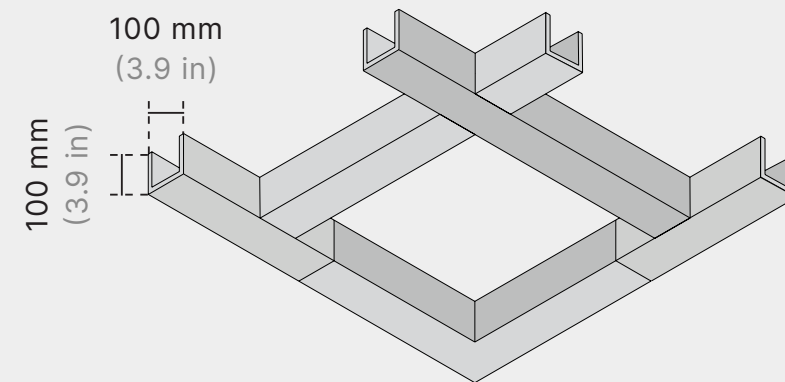
# Optional Borders

Close off the edges of the cloud or leave it open. Borders typically have the same dimensions as one of the baffles.

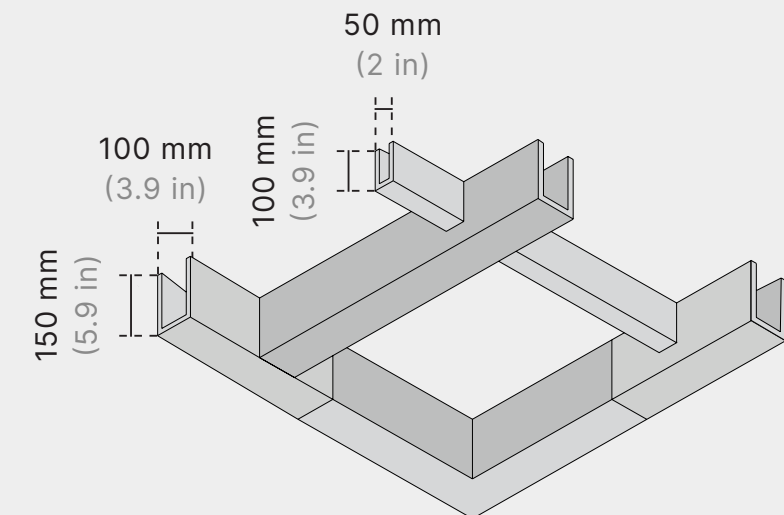
Grid Box Level with no border



Grid Box Level with border



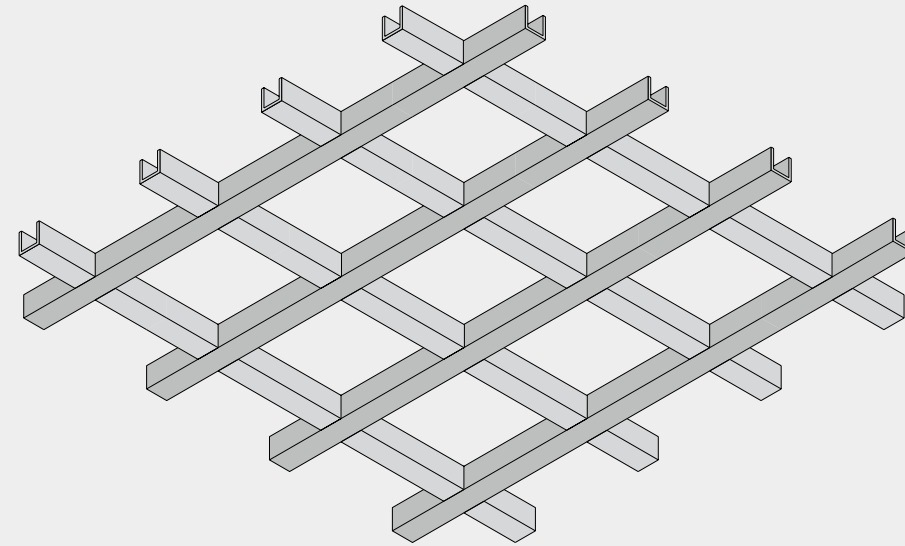
Grid Box Stack with border



# Configurations

Choose from one of the following configurations or create your very own.

**Config 1**



## Configuration Elements

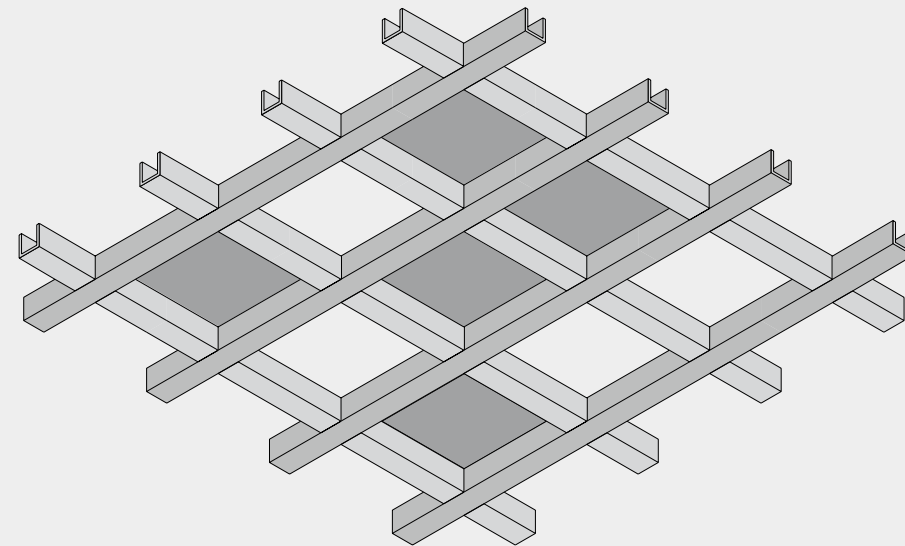
### Config 1

- Grid Box Level
- No border
- No infill panels

### Config 2

- Grid Box Stack
- Border
- Plain infill panels

**Config 3**



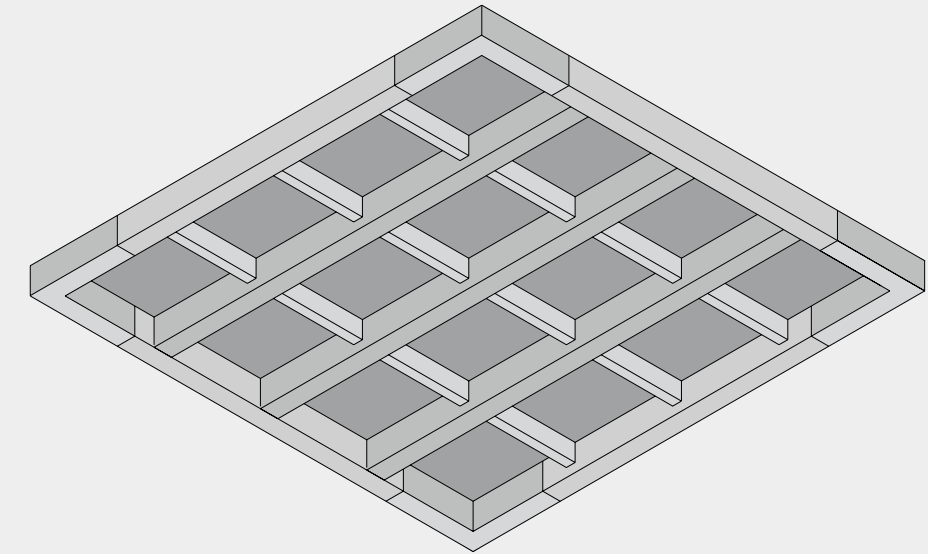
### Config 3

- Grid Box Level
- No border
- Partially filled with plain infill panels

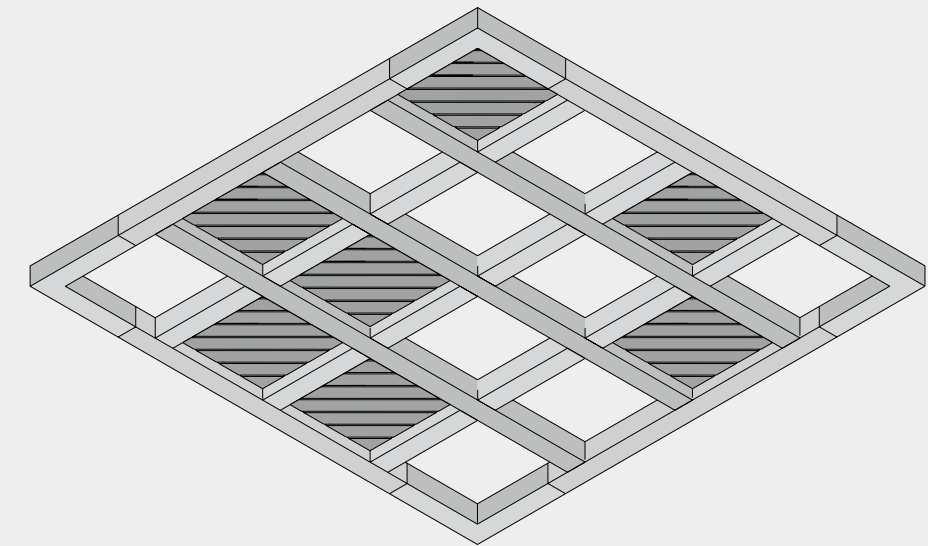
### Config 4

- Grid Box Stack
- Border
- Partially filled with Stripes infill panels

**Config 2**



**Config 4**





# Standard Colours

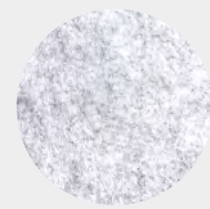
Choose from any one of our standard colours.



**Pure White**  
SP 07



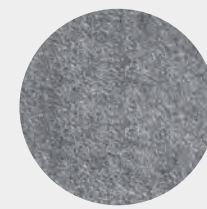
**Urban Grey**  
SP 79



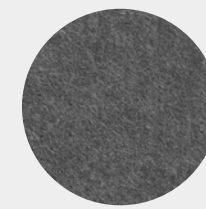
**Pumice**  
SP 11



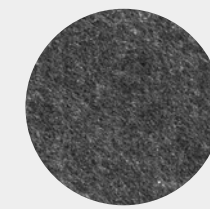
**Warm Grey**  
SP 76



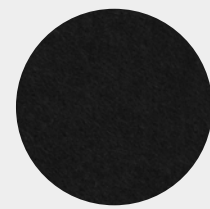
**Cool Grey**  
SP 36



**Mid Grey**  
SP 37



**Graphite**  
SP 03



**Black**  
SP 13



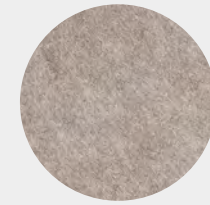
**Ivory**  
SP 77



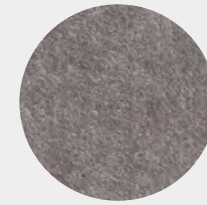
**Beige**  
SP 04



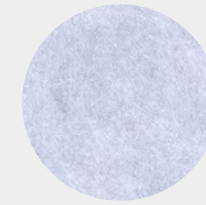
**Sandstone**  
SP 12



**Taupe Grey\***  
SP 90



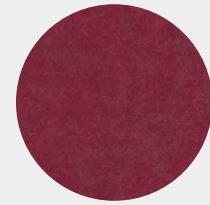
**Castlerock\***  
SP 80



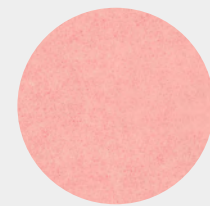
**Krypton**  
SP 30



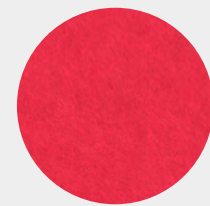
**Purple**  
SP 50



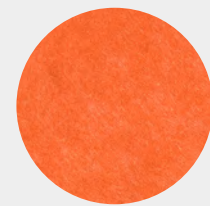
**Plum**  
SP 72



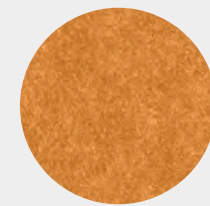
**Blush Pink**  
SP 81



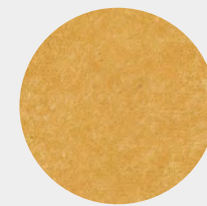
**Red**  
SP 08



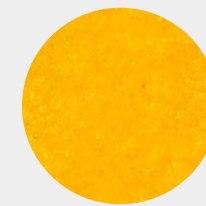
**Orange**  
SP 46



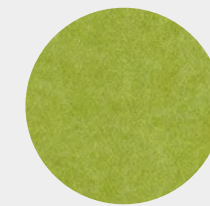
**Yam**  
SP 28



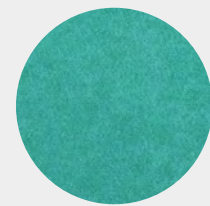
**Mustard\***  
SP 87



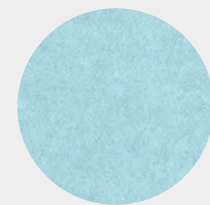
**Sunflower**  
SP 05



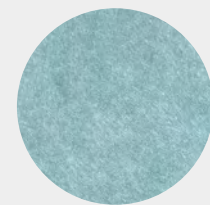
**Chartreuse**  
SP 43



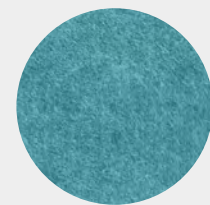
**Aquamarine**  
SP 73



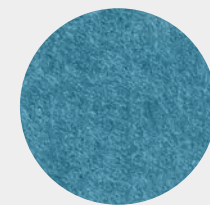
**Pale Teal**  
SP 74



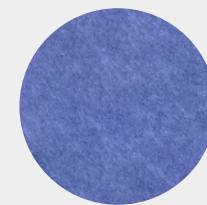
**Lagoon\***  
SP 84



**Dark Turquoise**  
SP 71



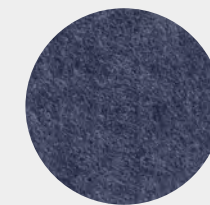
**Azure\***  
SP 85



**Sky Blue**  
SP 25



**Navy**  
SP 01



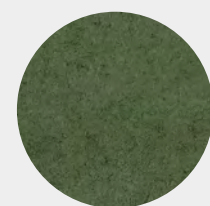
**Deep Sea Blue\***  
SP 83



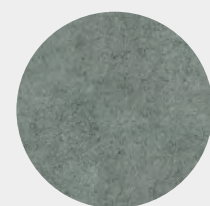
**Midnight Blue**  
SP 19



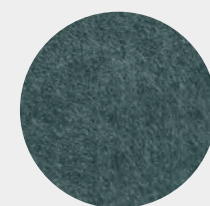
**Olive\***  
SP 88



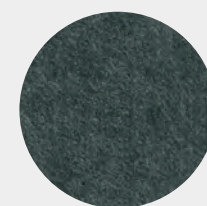
**Moss\***  
SP 89



**Desert Sage**  
SP 78



**Peacock\***  
SP 82



**Ocean Green\***  
SP 86



**Forest Green**  
SP 17

GRID BOX

CLOUDS

AKUSTUS.COM

Don't see something you love? Ask us about creating your own custom colour.

All colours available in 9, 12, 18, and 24 mm unless noted otherwise.

\* 12 mm / 24 mm only

# Textures

Create a natural look and feel with printed textures.



White Oak



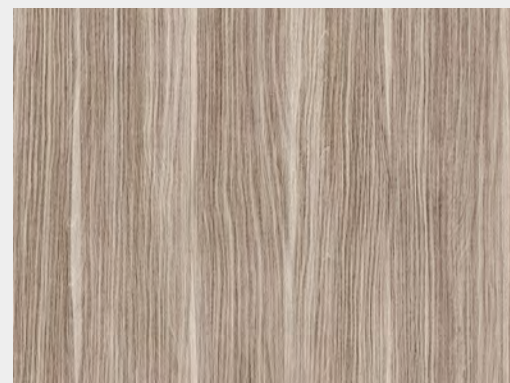
Silver Oak



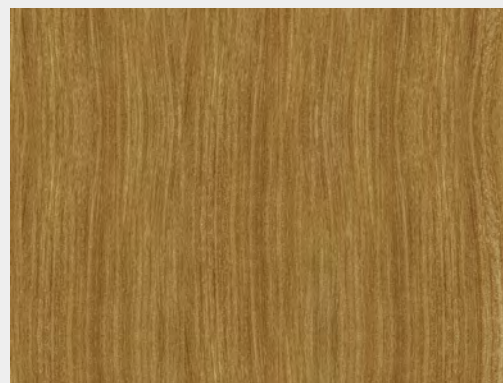
Greige Oak



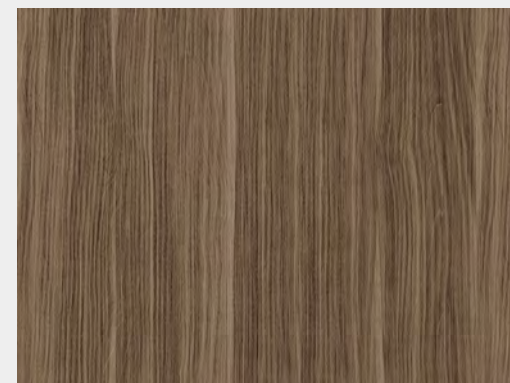
Ebony Oak



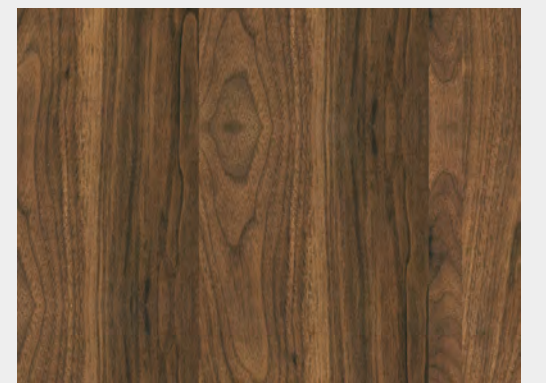
Cafe Oak



Golden Oak



Teak



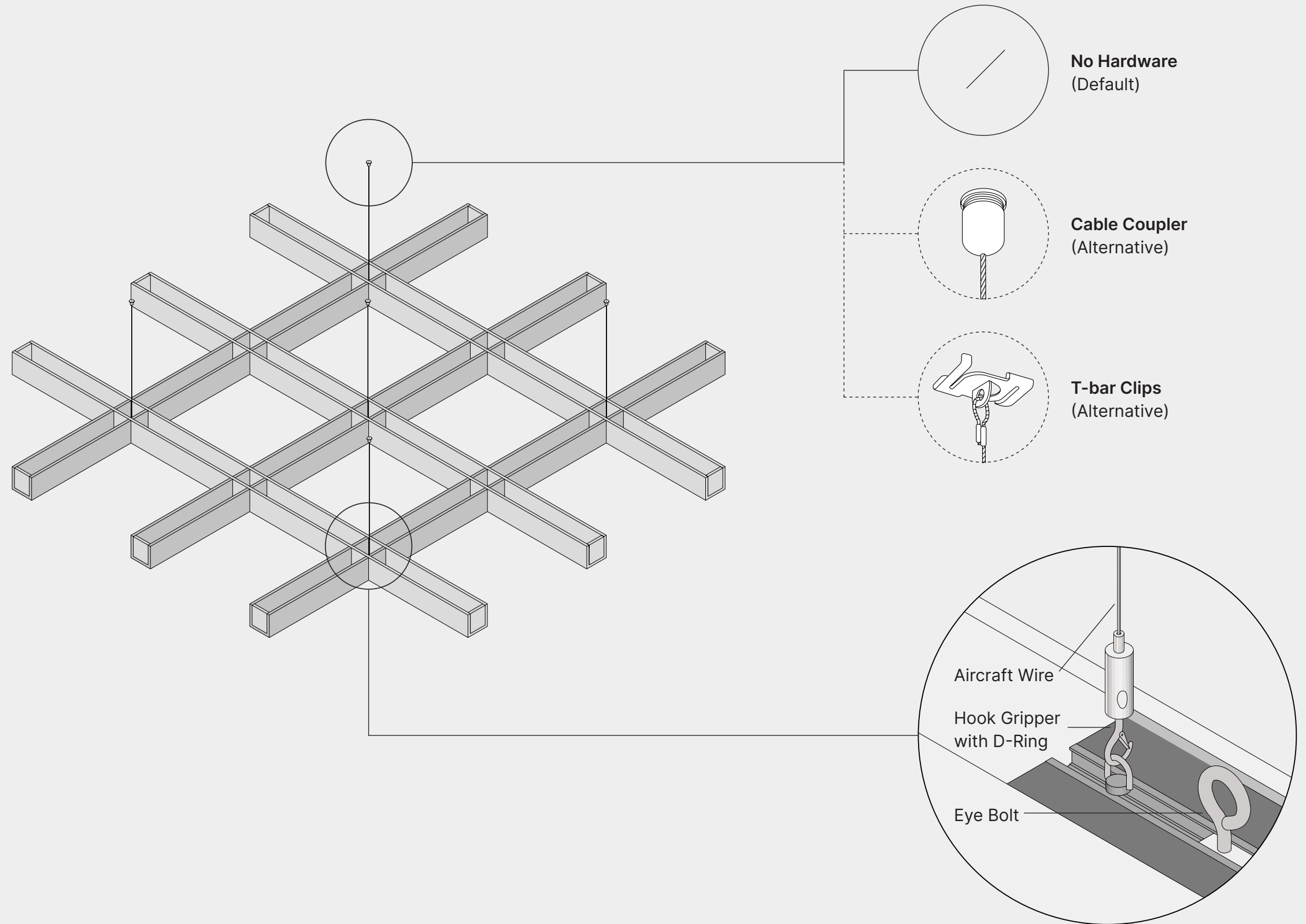
Walnut

---

Have something you want to print? Talk to us about printing a custom texture, design or image.

# Installation

## Cloud Suspension Kit



# Product Specifications

## Grid Box Clouds

### Composition

100% polyester fibre

### VOC Emissions

CDPH (CA 01350)

### Antimicrobial Testing

Mould & mildew resistant

### Fire Rating

- ASTM E84 Class A
- CAN/ULC-S102.2-10

### Sustainability

- 100% recyclable
- LBC Red List free
- Contributes to LEED certification
- Free of toxic substances and of off-gassing
- Made with ~60% recycled content from plastic water bottles

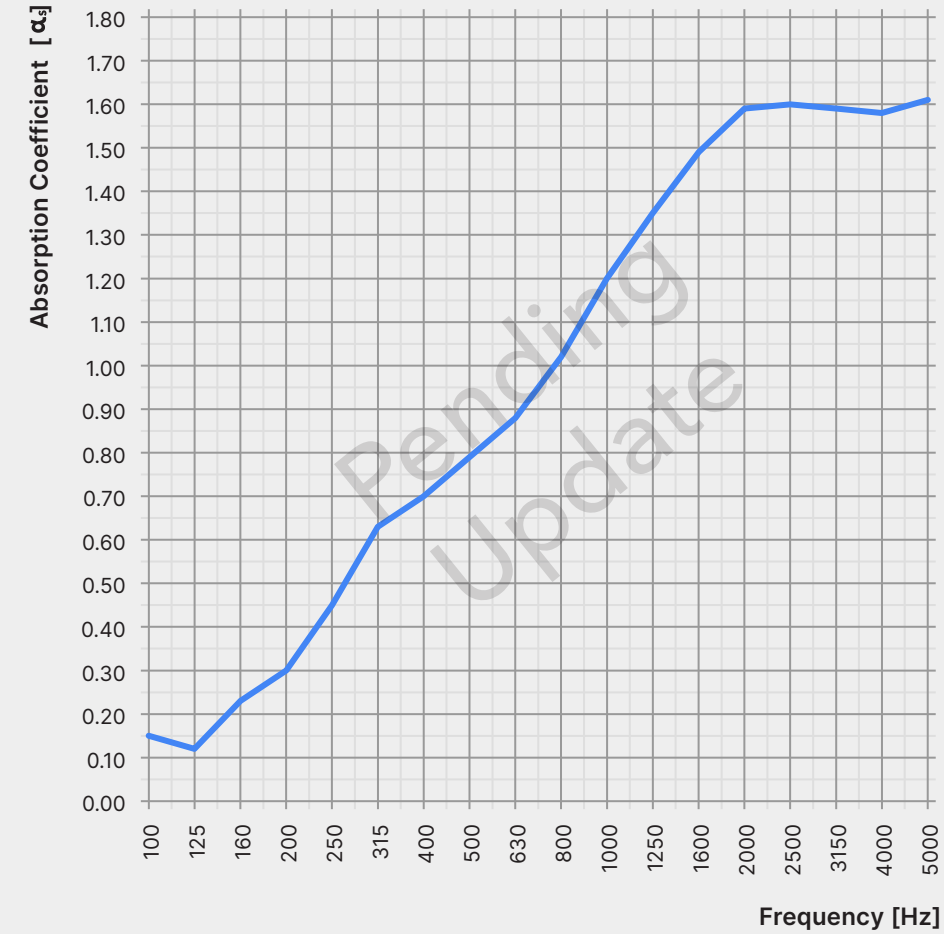
### Colour & Texture Variations

The felting and dyeing process that forms the material contributes to its unique texture but also to variations in texture and colour from panel to panel. Products will be provided within an acceptable range of variation.



# Sound Absorption Graph

The following values reflect the acoustic properties of the product as tested in accordance with ASTM C423-09a.



200	250	315	400	500	630	800	1000	1250	1600	2000	2500	NRC	SAA
0.30	0.45	0.63	0.70	0.79	0.88	1.02	1.20	1.35	1.49	1.59	1.60	1.00	1.00

# Product Care

## Handling & Storage

Handle products with care so as to avoid folding the polyester felt, chipping its edges, or indenting its faces. Store products in their original containers in a well-ventilated area until the intended application environment is ready for installation. Allow products to acclimatize to environmental conditions. Lay them flat on their faces; do not stand them on their edges. Protect from moisture, heat, direct sunlight, and the elements.

## Warranty

AKUSTUS warrants the construction and finish of all our products to be free from defects in material and workmanship for a period of 1 year from the date of purchase.

## Maintenance

Lightly brush or gently vacuum to remove dust from polyester felt. Clean with warm water and mild, non-toxic soap to remove spills. Test solution on an inconspicuous spot before applying to more visible areas. Blot with a dry cloth after applying the solution to avoid saturating the material. Avoid applying too much pressure when cleaning the products.

